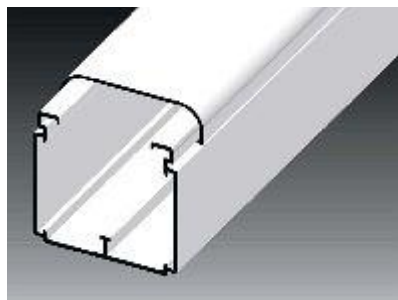


EKE 60X60 HD - elegant wiring trunking



BAR code

8595057620766

Type:

Trunking

Color:

RAL 9003 (white)

Material:

Hardened self-extinguishing polyvinylchloride (PVC)

Protection Level:

up to IP 30

Impact resistance:

0,5 J

Ambient temperature:

T -5 – 60 °C

Length:

2 m

Width:

60,0 mm

Height:

60,0 mm

Cross section:

2600 mm²

Usage:

The trunkings can be used for any base material of flammability class A up to C3. They are resistant to aggressive and chemical environments.

Standard:

CSN 37 0100, CSN 37 0001, IEC 1084-1, CSN EN 50 085-1

Note:

Packaging in cardboard

Package:

18 m

Package weight :

13,5 kg